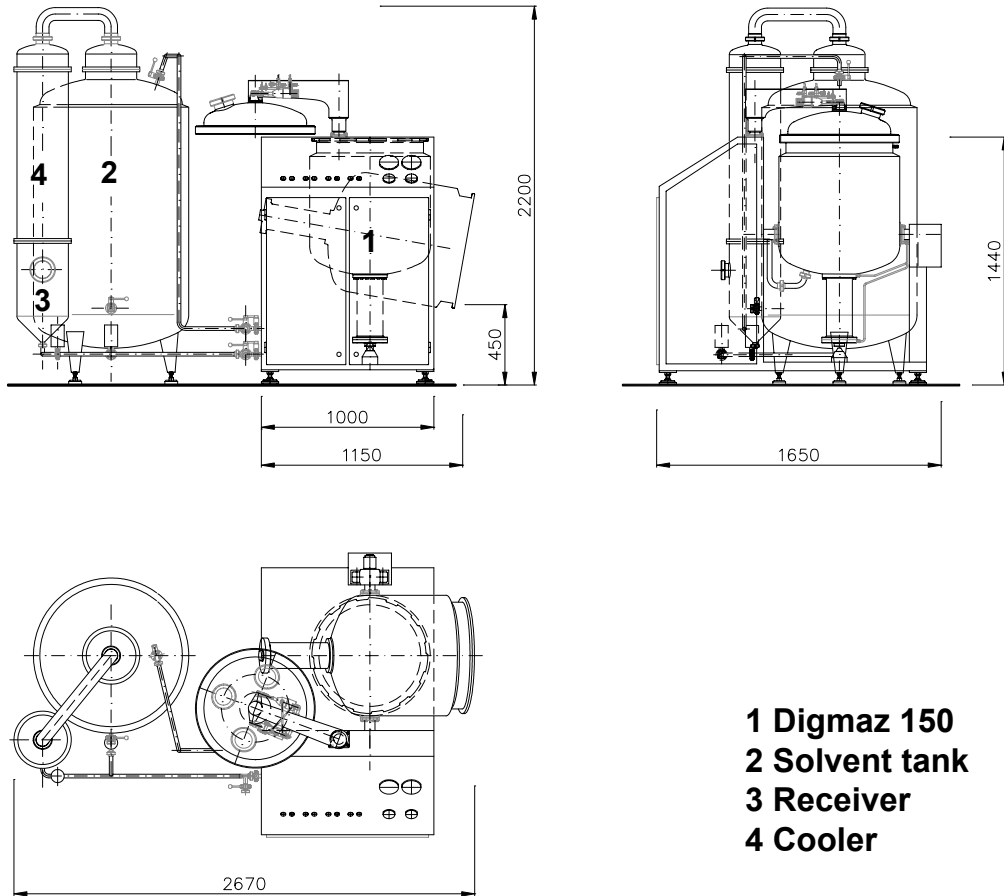


TECHNICAL DATA

TYPE: DIG-MAZ 150 Vacuum



1 Digmaz 150
2 Solvent tank
3 Receiver
4 Cooler

Type:	DIG-MAZ 150	
Extraction tank:	150 liters	Herbs volume
Solvent tank:	650 liters	
Make-up water:	5 bar	50 l / h
Hot water:	15.3 m ³ /h 180 kW	in 90°C / out 80°C
Cooling water:	15.3 m ³ /h 180 kW	in 5°C / out 12°C
Distillate:	300 liters / h	
Compressed air:	6 bar	4 m ³ / h
Power supply:	3x400 V / 50 Hz	
Power consumption:	6 kW	
Compressing pressure:	1.5 t	
Weight:	1.6 t	